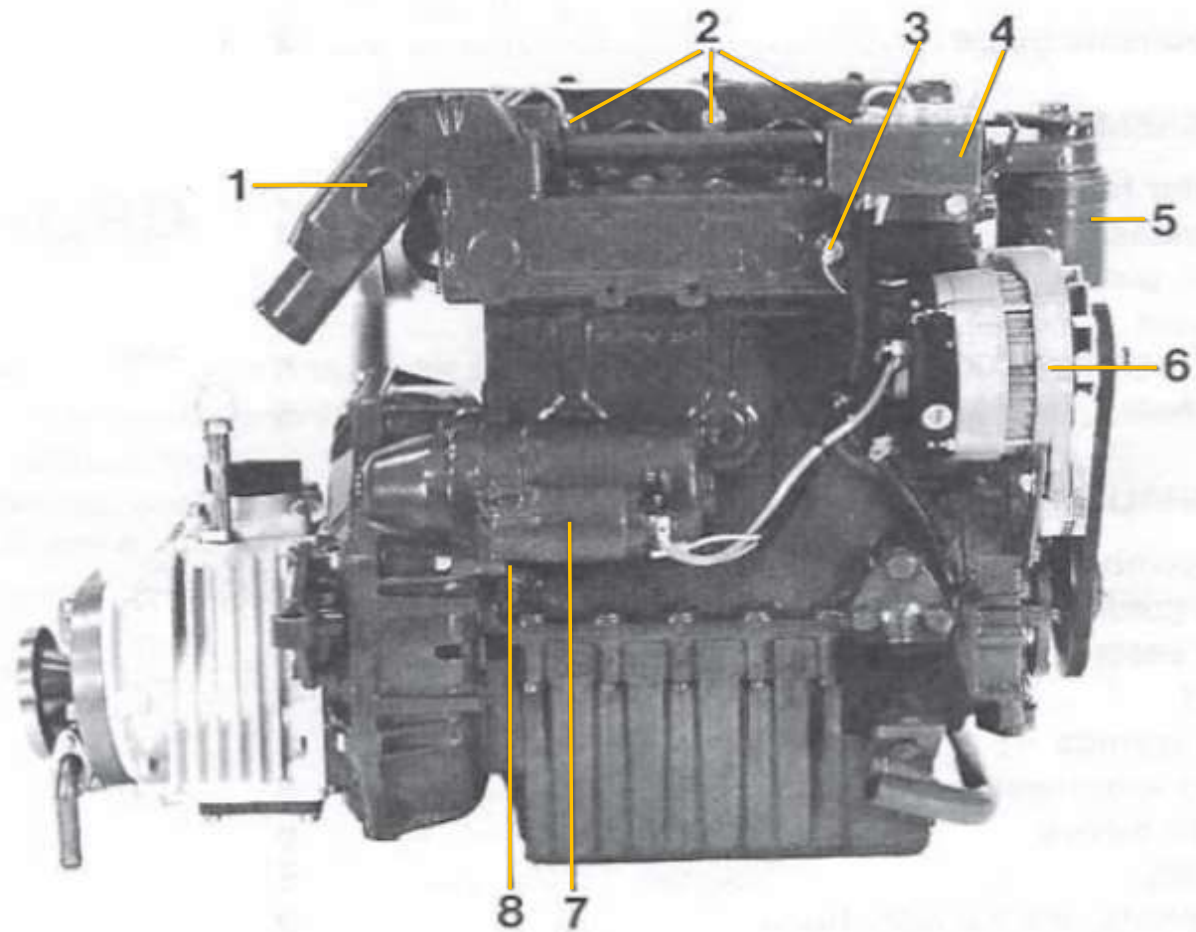


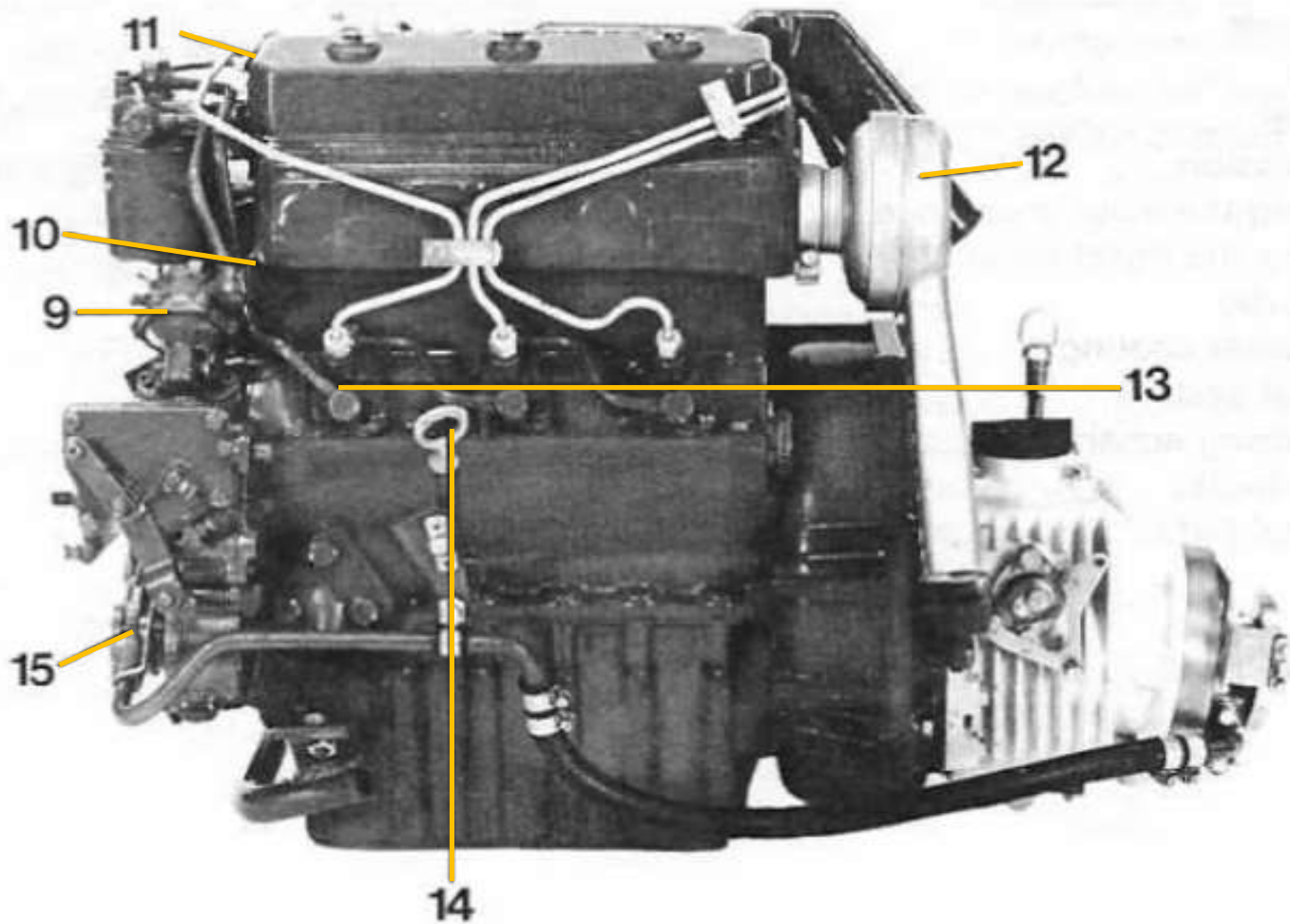
Components of the Volvo Penta 2003



1. Auspuff Krümmer
2. Einspritzdüsen
3. Motortemperatur Sensor
4. Elektro Verteilerbox
5. Dieselfilter
6. Lichtmaschine
7. Anlasser
8. Ablass Kühlwasser

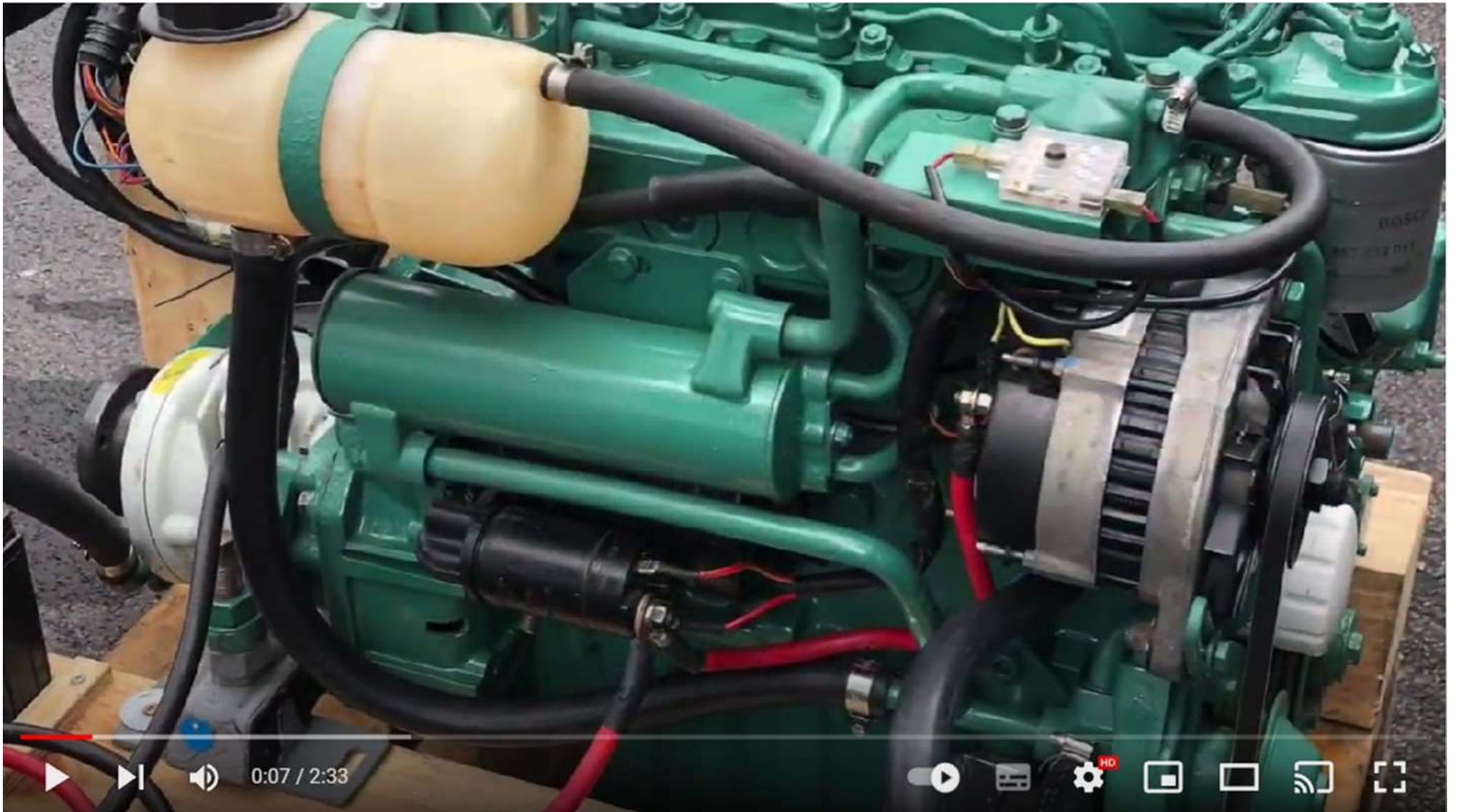
Volvo Penta 2003 Starboard Side Components

<https://saltwaterdiesels.com/volvo-penta-2003/>

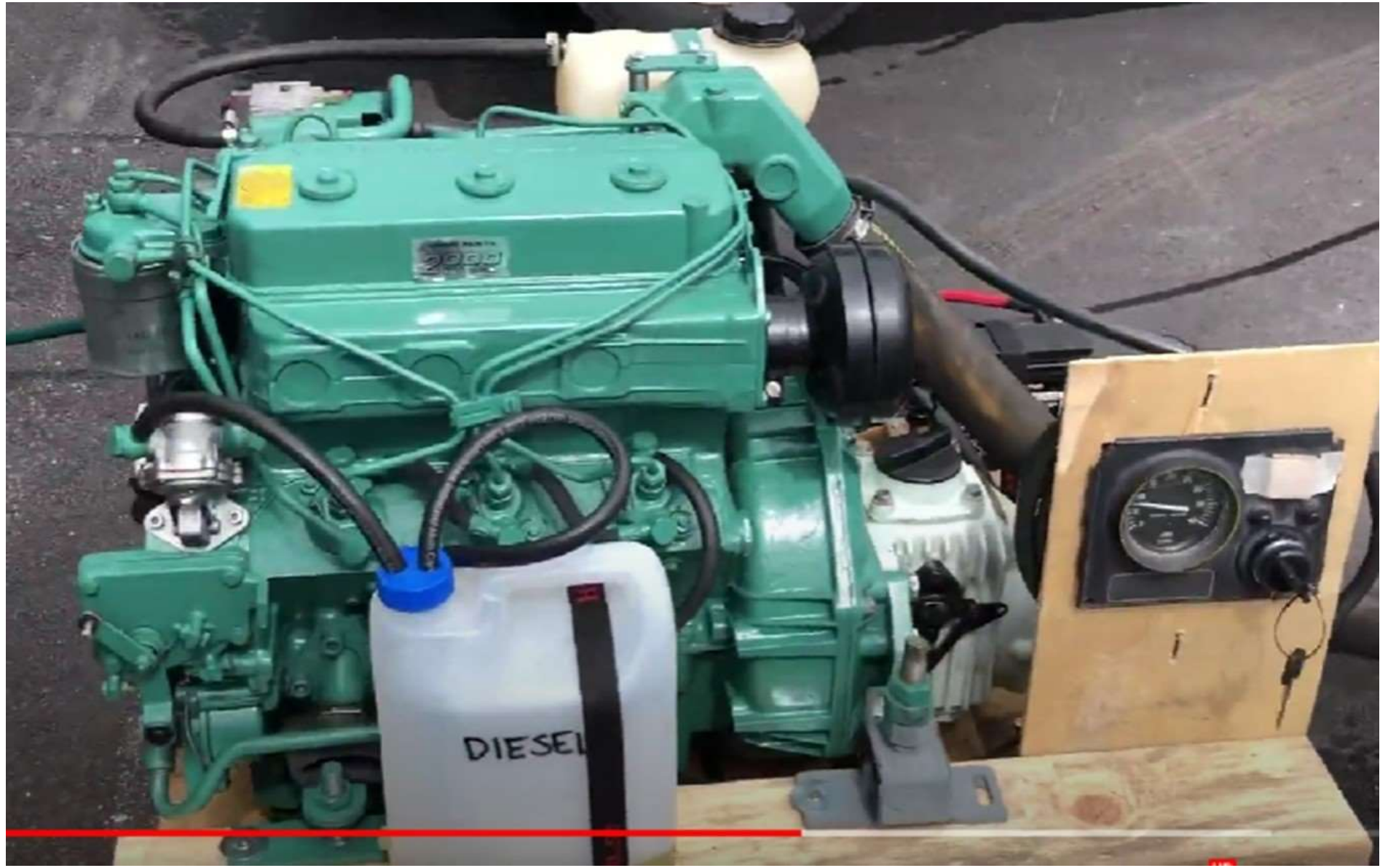


- 9. Diesel/Kraftstoff-Pumpe
- 10. Motor Serien Nummer
- 11. Dekompressionshebel
- 12. Luftfilter
- 13. Diesel Einpritzpumpen
- 14. Motoröl Messstab
- 15. Seewasser (Impeller) Pumpe

Volvo Penta 2003 Port Side Components



https://www.youtube.com/watch?v=5zU3anoh_cY



Lichtmaschine Anschlüsse



Instrument panel, alternative «A»



Instrument panel

1. Printed circuit card
2. Rev. counter (accessory)
3. Start button
4. Instrument panel switch
5. Alarm test
6. Alarm

Max. output from the panel : 5 Amp

Cable color

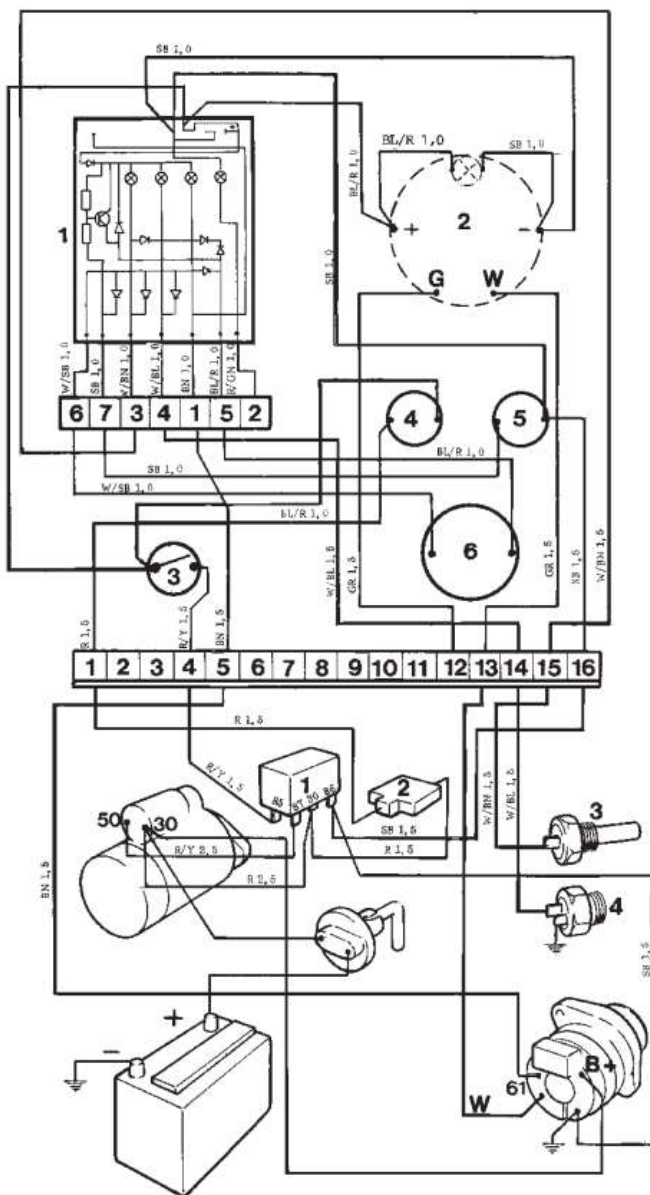
- GR = Grey
- SB = Black
- BN = Brown
- LBN = Light brown
- R = Red
- PU = Purple
- GN = Green
- Y = Yellow
- W = White
- BL = Blue
- LBL = Light blue

Wire areas

mm ²	AWG
1,0	17
1,5	15
2,5	13
10	7

Engine

1. Relay
2. Fuse
3. Coolant temp. alarm switch
4. Oil pressure alarm switch



Instrument panel, alternative «B»



Instrument panel

1. Voltmeter
2. Oil pressure gauge
3. Coolant temperature gauge
4. Printed circuit card
5. Alarm test
6. Switch for instrument lightning
7. Rev. counter
8. Key switch
9. Alarm

Max. output from the panel : 5 Amp

Cable color

- GR = Grey
- SB = Black
- BN = Brown
- LBN = Light brown
- R = Red
- PU = Purple
- GN = Green
- Y = Yellow
- W = White
- BL = Blue
- LBL = Light blue

Wire areas

mm ²	AWG
1,0	17
1,5	15
2,5	13
10	7

Engine

1. Coolant temperature sender
2. Oil pressure alarm switch
3. Coolant temperature alarm switch
4. Oil pressure sender
5. Relay
6. Fuse

