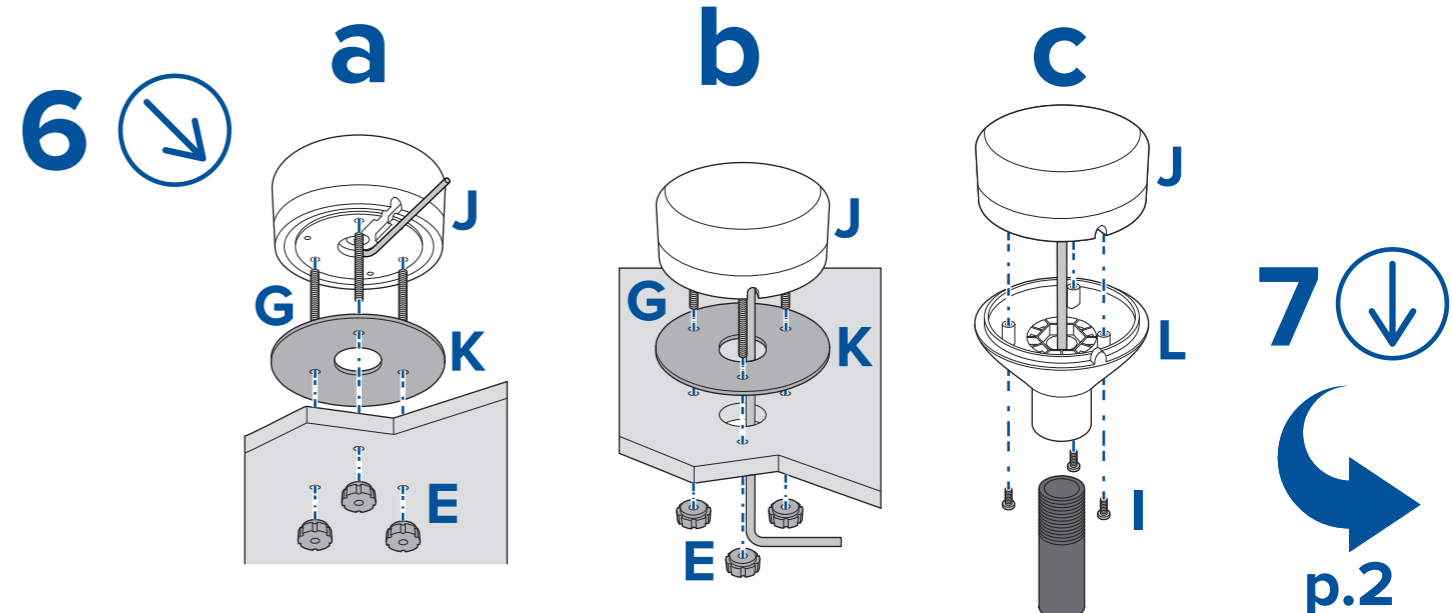
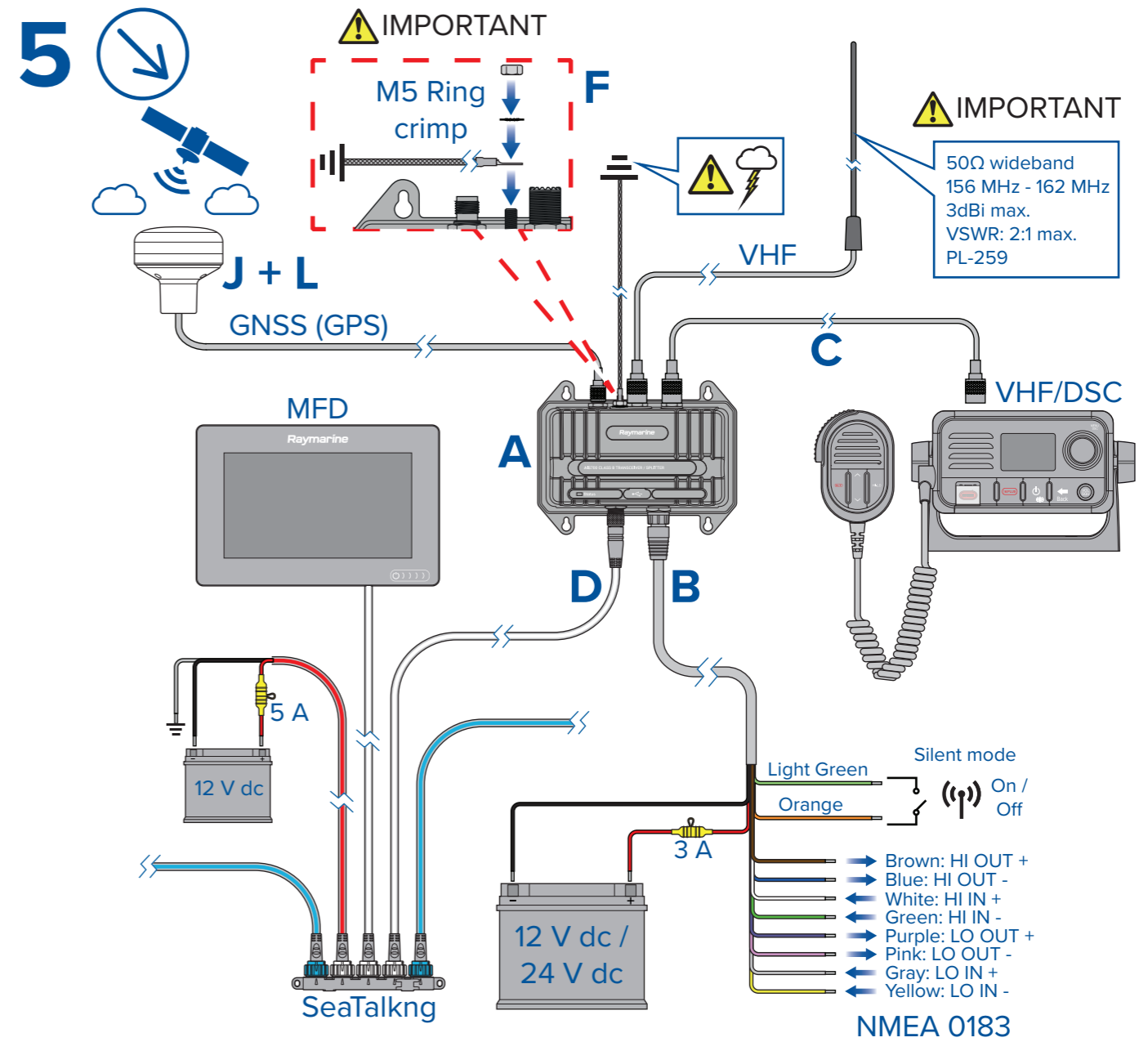
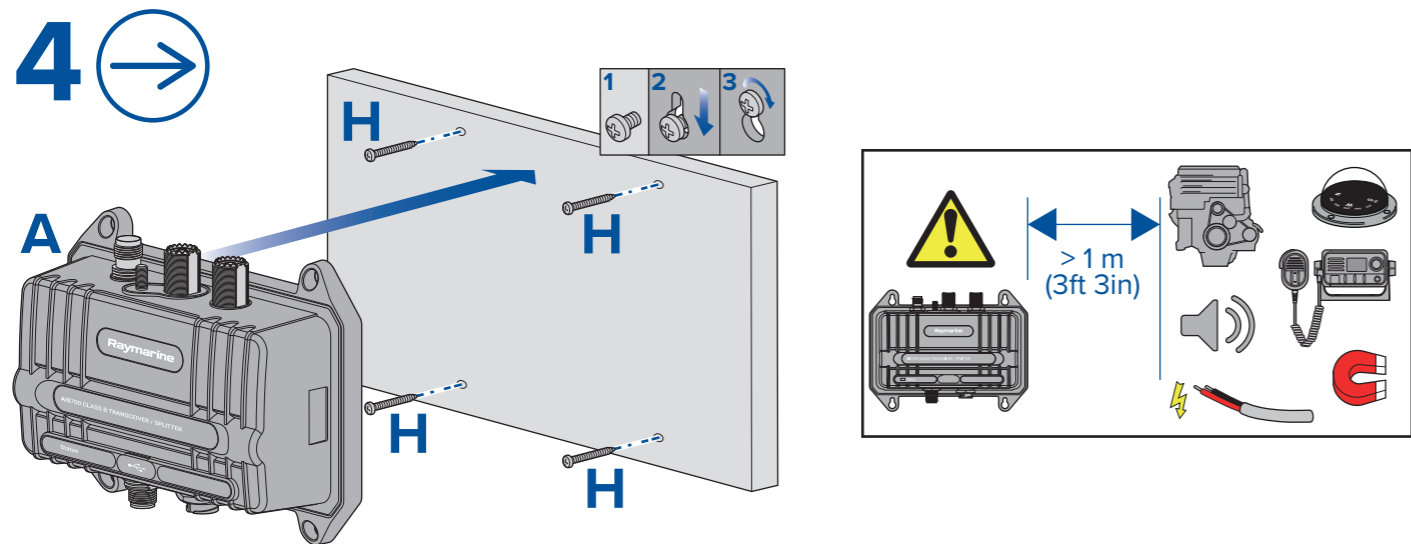
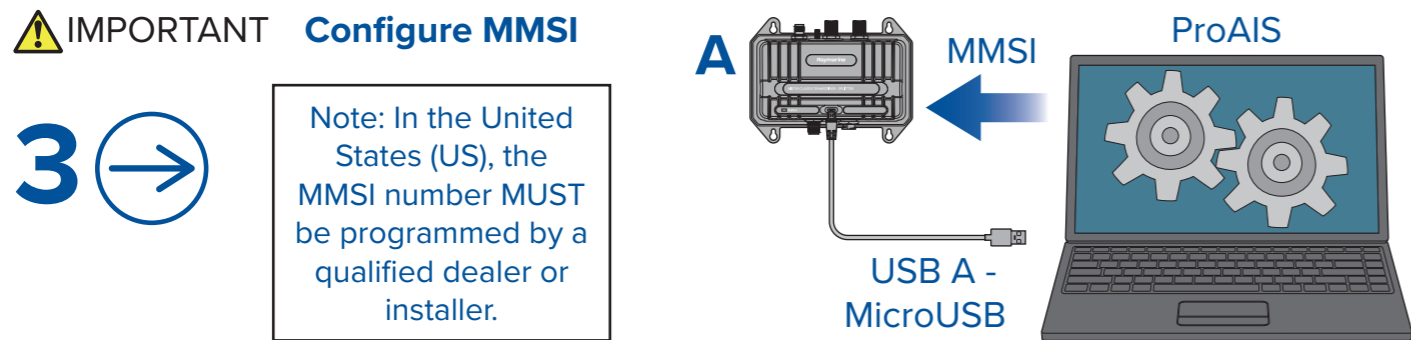
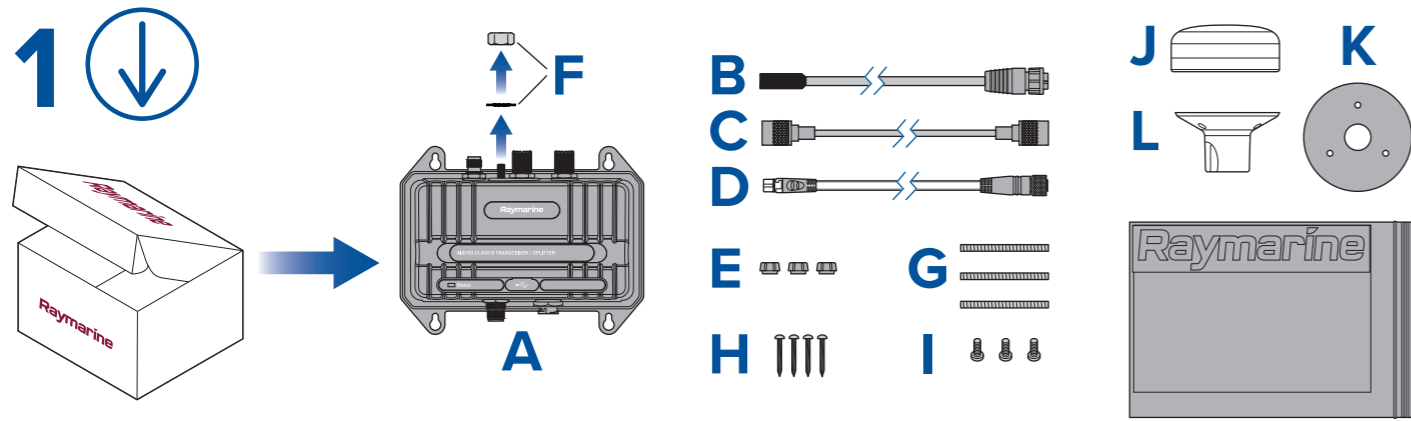


Raymarine® AIS700



Operations

7 →

a / c / e / gS / eS Series


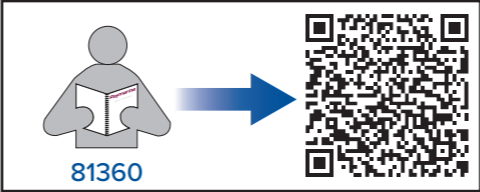


Chart app

LH2: Menu > Presentation > Overlays > AIS > ON



81360

Axiom


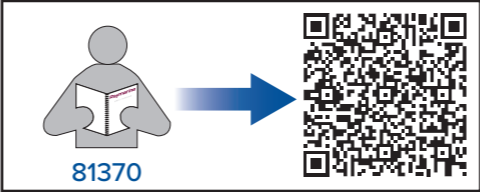


Chart app

LH3: Menu > Settings > Layers > AIS > ON



81370

Element

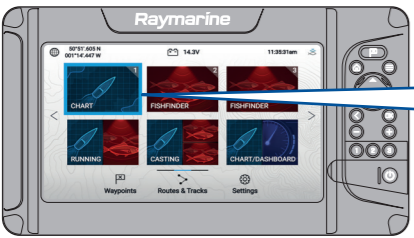
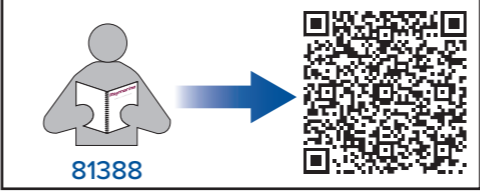


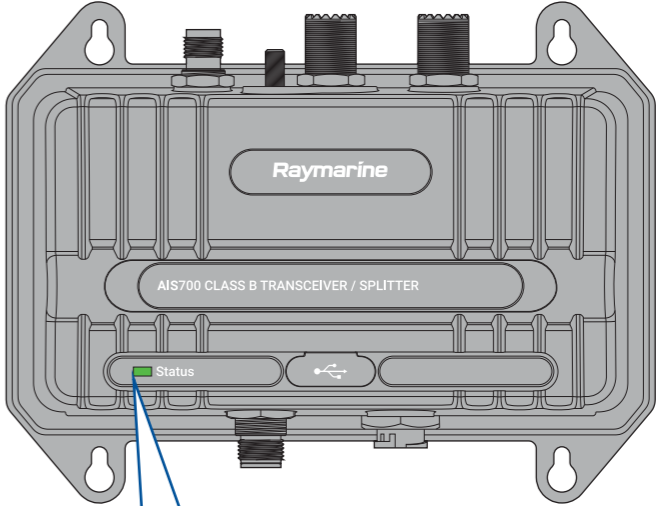
Chart app

LHS: Menu > AIS Targets > Target Settings > AIS > ON



81388

Status

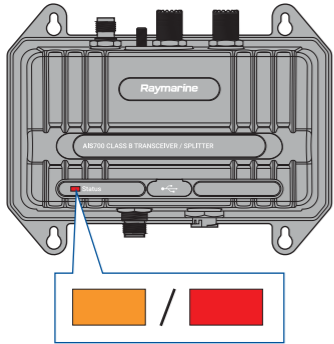


AIS700 CLASS B TRANSDUCER / SPLITTER

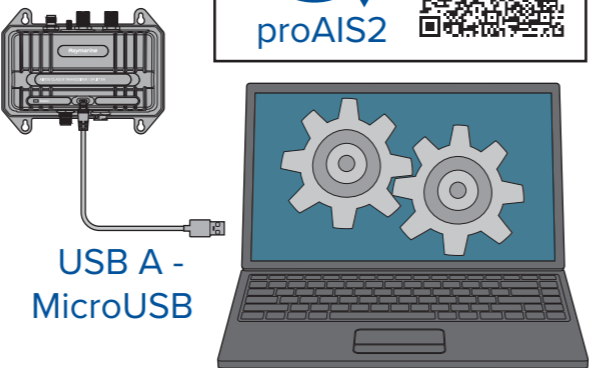
Status

- (📶) ✓ OK
- | ✗ (Error) Not transmitting
- ⚙️ ✗ Not programmed / Error / Fault
- | — Silent mode

Troubleshooting

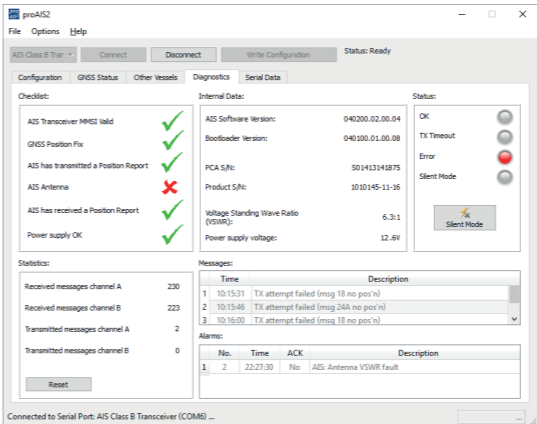


→



USB A - MicroUSB

→



Connect > Diagnostics

→

Troubleshooting Guide

